



DATA SHEET

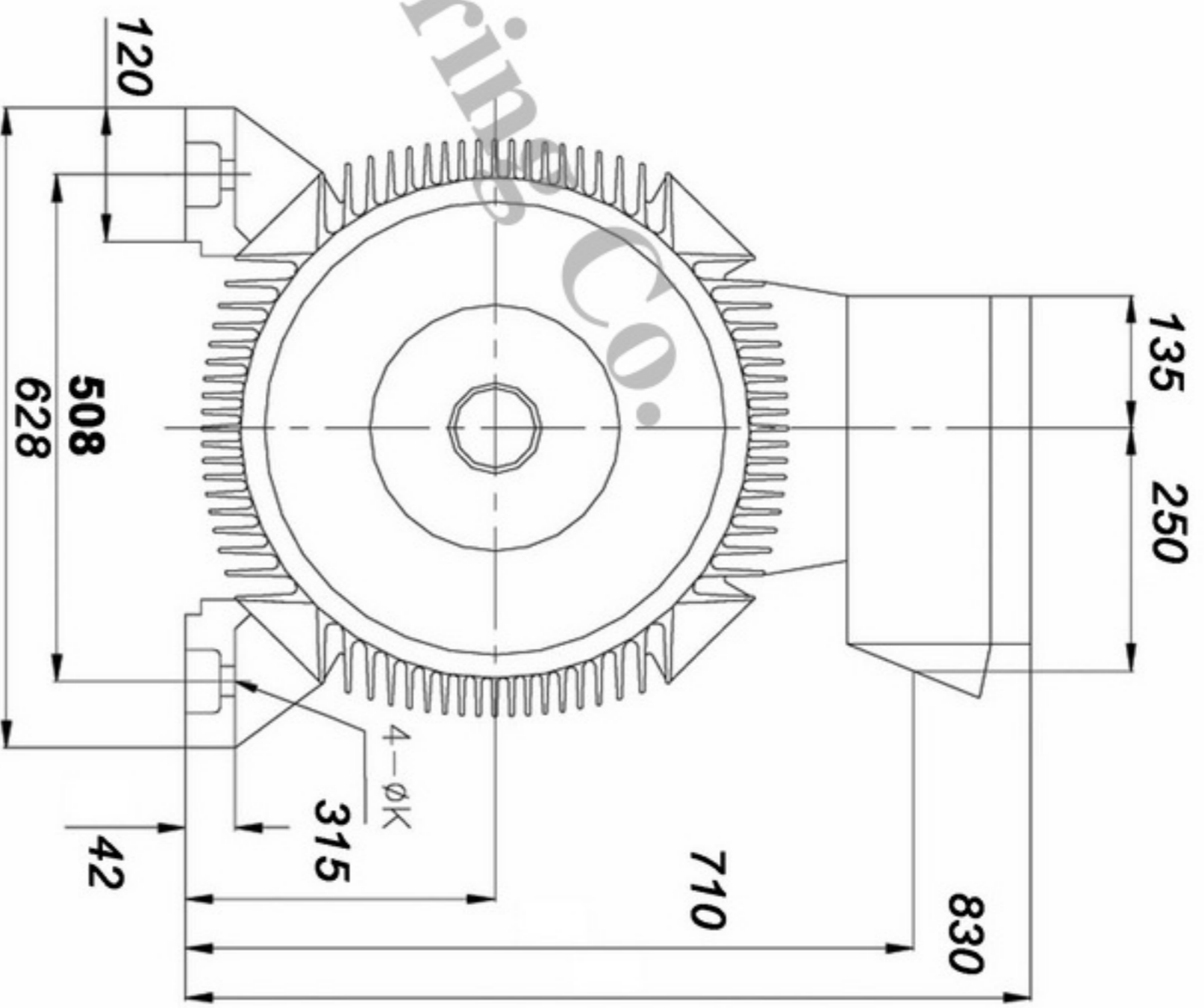
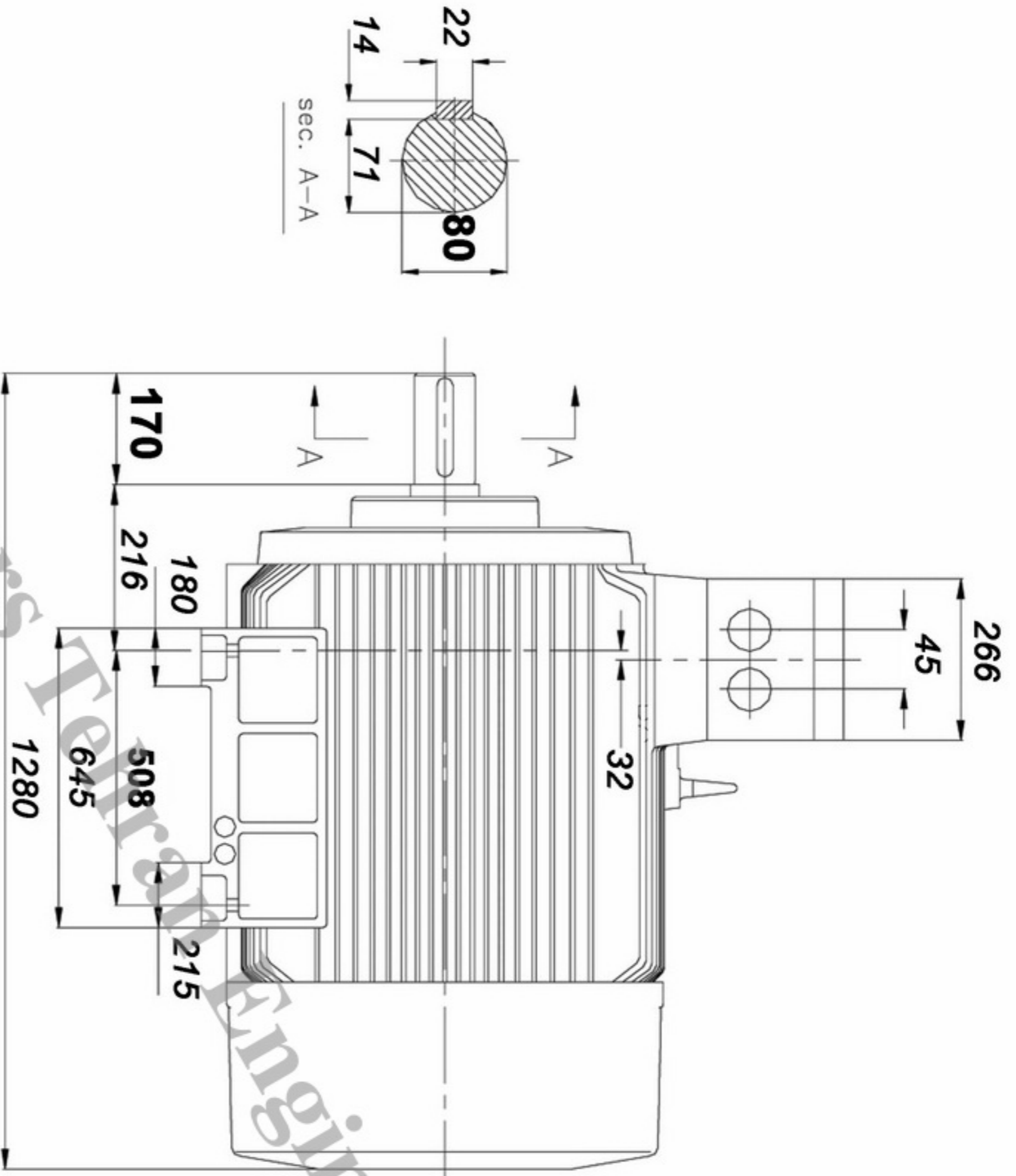
JEMCO



الکتروموتور ۱۶۰ کیلووات ۱۵۰۰ دور ماشینهای الکتریکی جوبین (جمکو)

Subject: Low voltage squirrel cage induction motors

Customer			Manufacturer Jemco		
Motor Type YU1313-4AO		Average sound pressure level		No load	load
Frame Size 315L	Number of poles 4				
Mounting design IM B3	Type of encloser IP-55		Direction of rotation both <input type="checkbox"/> CW <input type="checkbox"/> CCW <input type="checkbox"/>		
EX-Protective system safe			Bearing DE/NDE 6319-c3/6319-c3		
Duty type S1	Starting		Lubrication Li Base Grease		
Ambient Temperature	40 C		Type of lubrication K3N Din 51825		
Thermal classification F	Tempertur rise B		typical Test IEC60034-1		
Term motor protection optional			outline dimention drawing No. available		
Retad output 160 KW			Location of Terminal Box top		
rated voltage 380V			Number of terminals 6		
connection DELTA			space heater optional		
Ferquency 50 HZ.	speed 1487 rpm		Net weight approx. 1200Kg		
Rated current 284 A			painting RAL 7032		
Starting Current (I_s/I_N) 6.8			Termal Protection optional		
Power Factor	4/4	3/4	1/2	Additional Sensor optional	
	0.89			Frame Material cast iron	
Efficiency	4/4	3/4	1/2		
	94.6%				
Rated torque (T_N) 1027 Nm			Additional data and remarks: 1- permisslbie percentage Voltage imbalance not greater than1% 2-Cold Starting per Hour(3) 3- Hot Starting per Hour(2) 4- Maximum Hot starting Time not more than 60 second 5- Maximum cold Time not more than 80 second		
starting torque $(T_s/T_N)=$ 1.8					
Break-down torque $(T_{max}/T_N)=$ 2					
Rotor class/material squirrel cage Aluminium					
Rotor voltage	Rotor current				
Rotor inertia 4 Kgm2					
cooling method IC411					
altitude of instalation 1000m					
Date	Name	Tolerances acc. To		NO.	
Designed					
checked					



PARS TEHRAN ENG. CO.
PTCO

Offer No.:	
Project:	
Power: 160Kw	
Date:	
Unit: mm	
Code:	YU1313-4A0
Frame:	315L
JEMCO	