



DATA SHEET

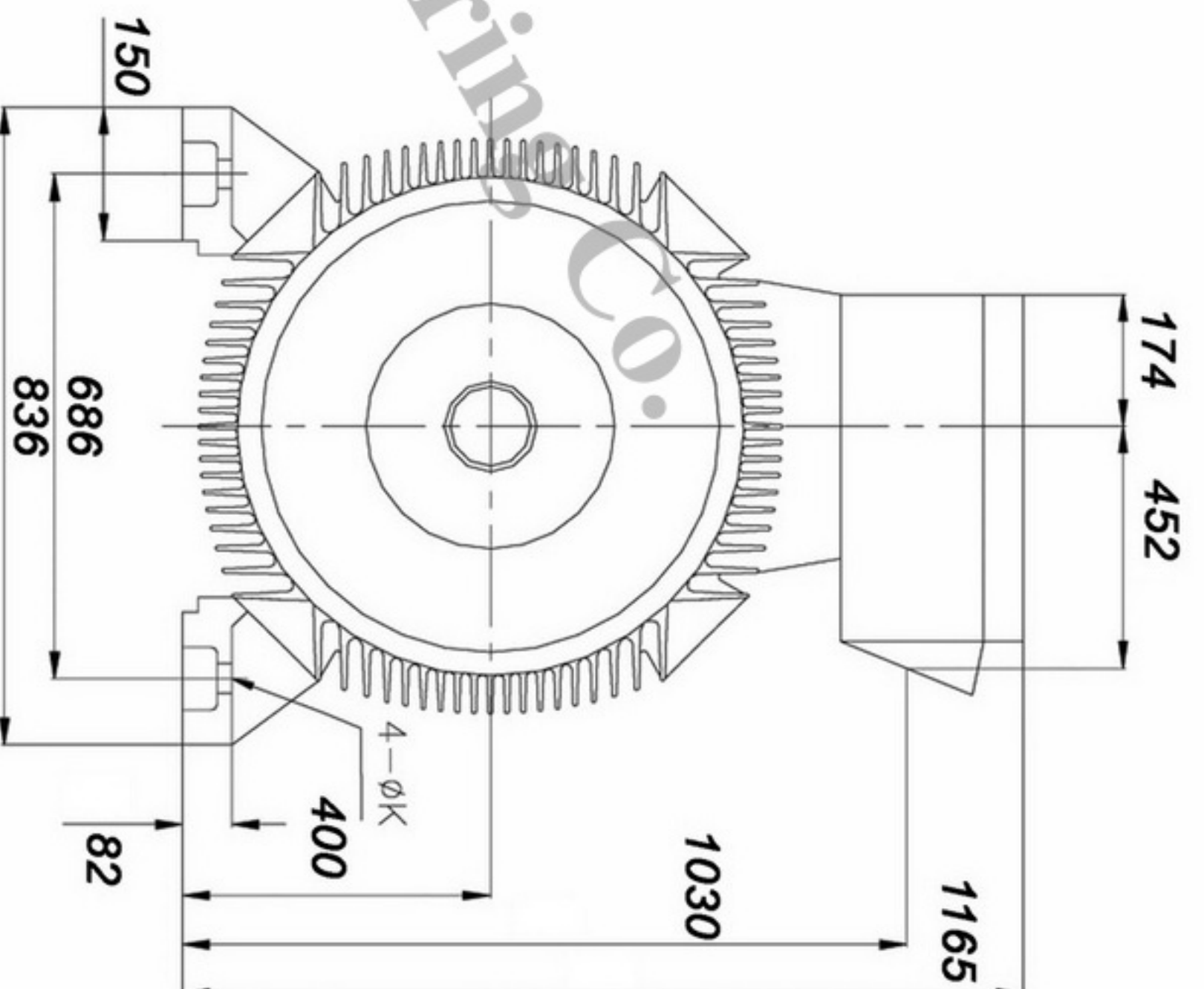
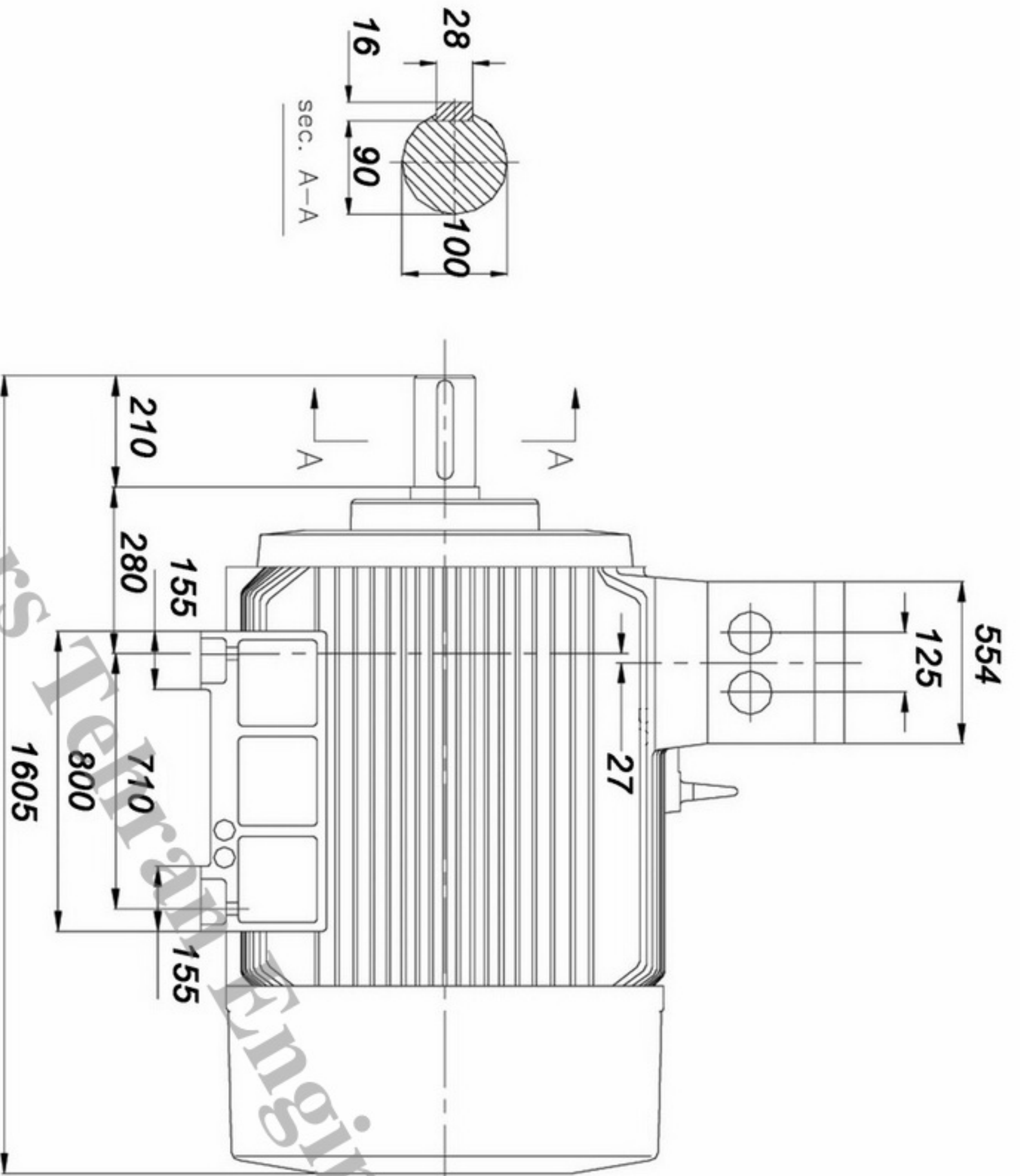
JEMCO



الکتروموتور ۲۵۰ کیلووات ۱۰۰۰ دور ماشینهای الکتریکی جوبین (جمکو)

Subject: Low voltage squirrel cage induction motors

Customer			Manufacturer Jemco		
Motor Type YU1401-6AO			Average sound pressure level	No load	load
Frame Size 400L	Number of poles 6				
Mounting design IM B3	Type of encloser IP-55		Direction of rotation both <input type="checkbox"/> CW <input type="checkbox"/> CCW <input type="checkbox"/>		
EX-Protective system safe			Bearing DE/NDE NU324ECMC3/6324-c3		
Duty type S1	Starting		Lubrication Li Base Grease		
Ambient Temperature 40 C			Type of lubrication K3N Din 51825		
Thermal classification F		Tempertur rise B	typical Test IEC60034-1		
Term motor protection optional			outline dimention drawing No. available		
Retad output 250 KW			Location of Terminal Box top		
rated voltage 380V			Number of terminals 6		
connection DELTA			space heater optional		
Ferquency 50 HZ.	speed 987 rpm		Net weight approx. 2135Kg		
Rated current 457 A			painting RAL 7032		
Starting Current (I_s/I_N) 6.5			Termal Protection optional		
Power Factor	4/4	3/4	1/2	Additional Sensor optional	
	0.86			Frame Material cast iron	
Efficiency	4/4	3/4	1/2		
	94.9%				
Rated torque (T_N) 2419 Nm			Additional data and remarks: 1- permisslbie percentage Voltage imbalance not greater than1% 2-Cold Starting per Hour(3) 3- Hot Starting per Hour(2) 4- Maximum Hot starting Time not more than 60 second 5- Maximum cold Time not more than 80 second		
starting torque $(T_s/T_N)=$ 1.3					
Break-down torque $(T_{max}/T_N)=$ 1.8					
Rotor class/material squirrel cage		Aluminium			
Rotor voltage	Rotor current				
Moment of inertia 16.75 Kgm2					
cooling method IC411					
altitude of instalation 1000m					
	Date	Name	Tolerances acc. To		NO.
Designed					
checked					



PARS TEHRAN ENG. CO.
PTCO

	Offer No.:
	Project:
Power: 250Kw	
Date:	
Unit: mm	
JEMCO	Code: YU1401-6A0
	Frame: 400L