



# DATA SHEET

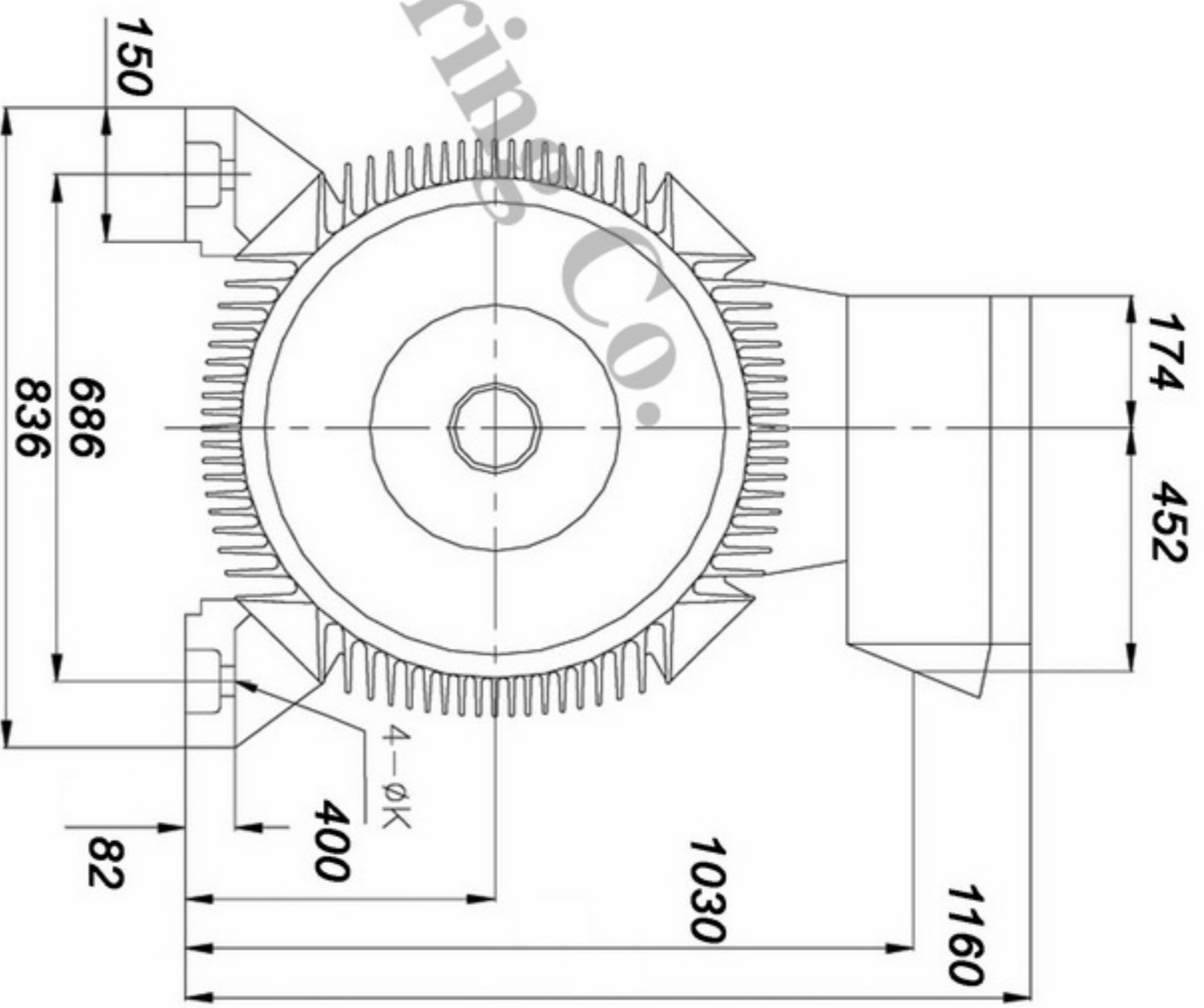
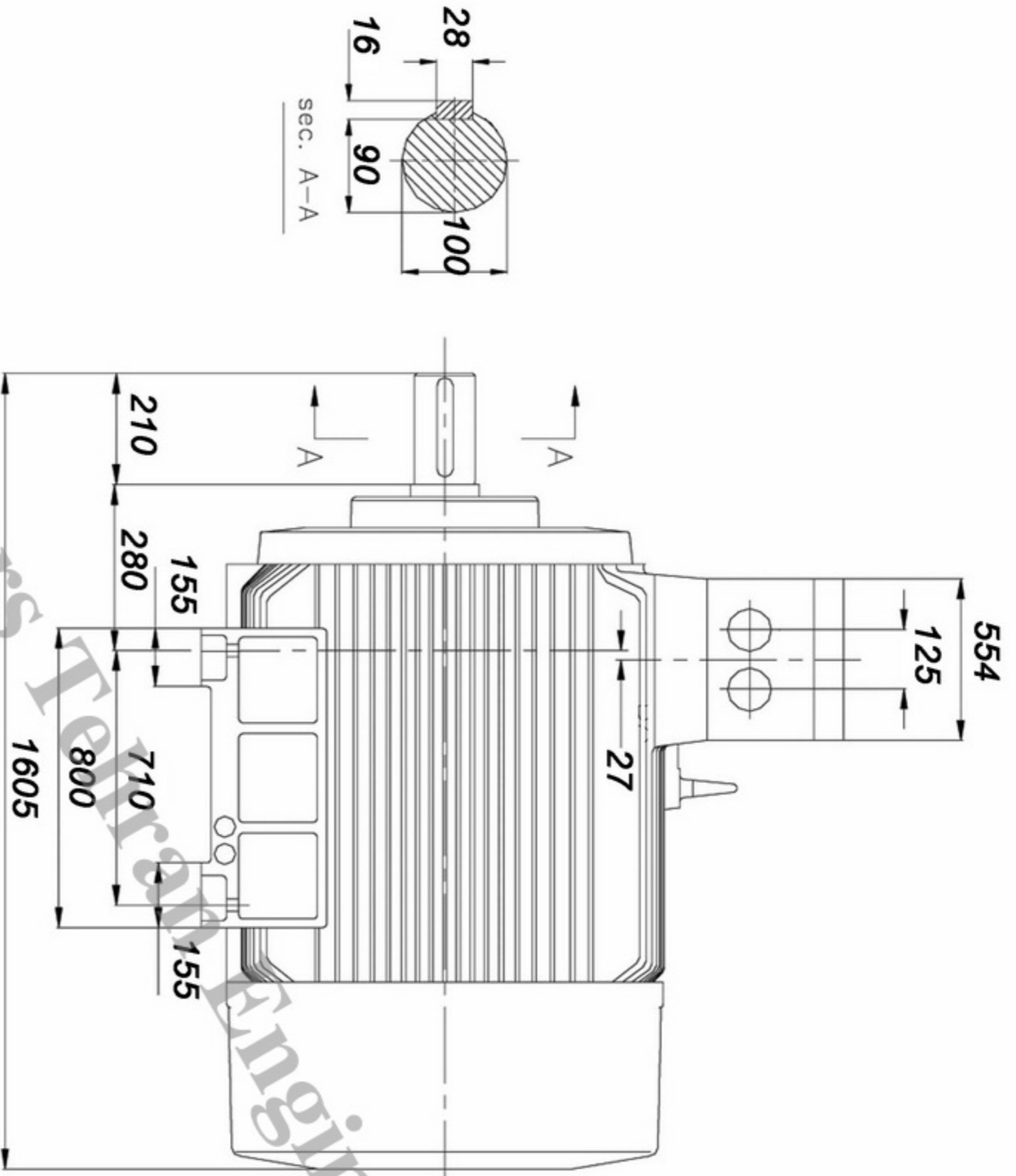
## JEMCO



الکتروموتور ۴۰۰ کیلووات ۱۵۰۰ دور ماشینهای الکتریکی جوبین (جمکو)

**Subject: Low voltage squirrel cage induction motors**

Customer			Manufacturer <b>Jemco</b>		
Motor Type <b>YU1402-4AO</b>			Average sound pressure level	No load	load
Frame Size <b>400L</b>	Number of poles <b>4</b>				
Mounting design <b>IM B3</b>	Type of encloser <b>IP-55</b>		Direction of rotation <b>both</b> <input type="checkbox"/> CW <input type="checkbox"/> CCW <input type="checkbox"/>		
EX-Protective system <b>safe</b>			Bearing DE/NDE <b>Nu324ECMC3/6324-c3</b>		
Duty type <b>S1</b>	Starting		Lubrication <b>Li Base Grease</b>		
Ambient Temperature <b>40 C</b>			Type of lubrication <b>K3N Din 51825</b>		
Thermal classification <b>F</b>		Tempertur rise <b>B</b>	typical Test <b>IEC60034-1</b>		
Term motor protection <b>optional</b>			outline dimention drawing No. <b>available</b>		
Retad output <b>400 KW</b>			Location of Terminal Box <b>top</b>		
rated voltage <b>380V</b>			Number of terminals <b>6</b>		
connection <b>DELTA</b>			space heater <b>optional</b>		
Ferquency <b>50 HZ.</b>	speed <b>1487 rpm</b>		Net weight approx. <b>2430Kg</b>		
Rated current <b>690 A</b>			painting <b>RAL 7032</b>		
Starting Current $(I_s/I_N)$ <b>6.5</b>			Ternal Protection <b>optional</b>		
Power Factor	<b>4/4</b>	<b>3/4</b>	<b>1/2</b>	Additional Sensor <b>optional</b>	
	<b>0.89</b>			Frame Material <b>cast iron</b>	
Efficiency	<b>4/4</b>	<b>3/4</b>	<b>1/2</b>		
	<b>95.6%</b>				
Rated torque $(T_N)$ <b>2569 Nm</b>			Additional data and remarks: 1- permisslbie percentage Voltage imbalance not greater than1% 2-Cold Starting per Hour(3) 3- Hot Starting per Hour(2) 4- Maximum Hot starting Time not more than 60 second 5- Maximum cold Time not more than 80 second		
starting torque $(T_s/T_N)=$ <b>1.2</b>					
Break-down torque $(T_{max}/T_N)=$ <b>1.8</b>					
Rotor class/material <b>squirrel cage</b>		<b>Aluminium</b>			
Rotor voltage	Rotor current				
Rotor inertia <b>16.25 Kgm2</b>					
cooling method <b>IC411</b>					
altitude of instalation <b>1000m</b>					
Date	Name	Tolerances acc. To		NO.	
Designed					
checked					



**PARS TEHRAN ENG. CO.**  
PTCO

Offer No.:	
Project:	
Power: 400Kw	
Date:	
Unit: mm	
Code:	<b>YU1402-4A0</b>
Frame:	<b>400L</b>
<b>JEMCO</b>	